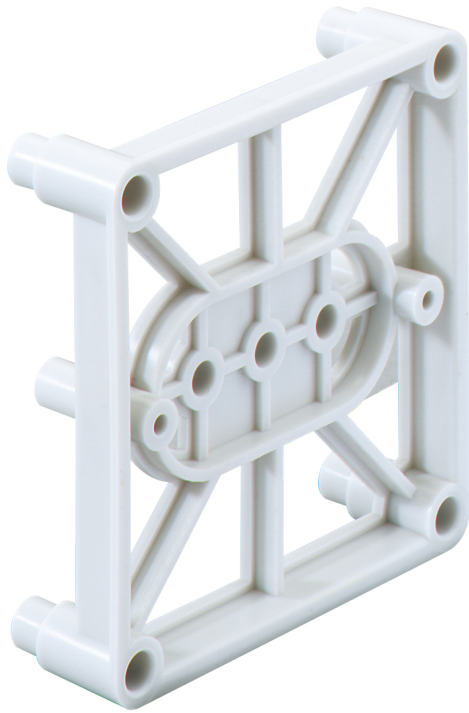


blank base

BS 1-BSK



BS 1-BSK

blank base

Productnumber: 97443101

Dimensions: 86 x 86 x 25 mm

Blank base BS to support the BS boxes, for opposing formwork in conjunction with support spars

blank base, 86 x 86 x 25 mm

Technical Data

Dimensions

Width:	86 mm
Length:	86 mm
Height:	25 mm

Material characteristics

Industry quality:	no
-------------------	----

mechanical properties

Type of accessory:	other
--------------------	-------

Accessories

[97924001 - NAS-AL - IBT Accessories](#)

[97924201 - NA-AL - IBT Accessories](#)

[97924301 - NA-AL/gl - IBT Accessories](#)